



# Navigator® WWV water-cooled screw chillers



120 to 300 tons

# Chart a confident course



## Operate with greater certainty



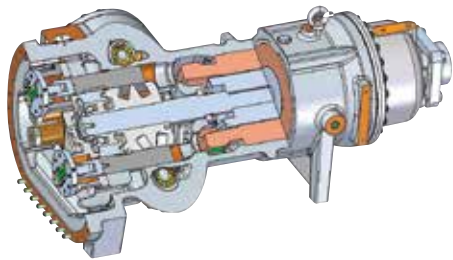
No two buildings are alike and no two days serve up the same climate conditions, so design an HVAC solution that is optimized for any day or hour with the latest in water-cooled screw technology. Engineered as a fully VFD-driven platform, the Navigator water-cooled screw chiller integrates variable volume ratio (VVR) compressor technology giving you the advantage of a system that adapts to real-world building environments.

Fix your sights on higher levels of efficiency. With Daikin's proprietary design, Navigator will meet a building's HVAC demand as climate and usage needs fluctuate. A building rarely runs at full load; why not get the chiller that delivers exactly the load you need at any given moment? Daikin's Navigator maps its performance to your building's demand.

## Compressor senses off-design conditions, adjusting to lower energy use

Daikin Navigator redefines what it means to be an “industry leader” for water-cooled screw chillers. Leveraging the innovative technology found across Daikin’s chiller portfolio, Navigator’s performance is optimized for every condition and at every hour of the day with Variable Volume Ratio (VVR) technology. VVR compression technology senses the precise amount of lift needed and adjusts the compression ratio on the fly to deliver optimal efficiency, regardless of ambient temperature or time of day. With VVR technology, you don’t pay for over-compression, you pay only for the exact compression you need.

Unique compressor design with variable volume ratio capability integrates with VFD technology to match your required cooling at the best possible efficiency.



## Engineered for versatility

Built on Daikin Applied innovation—variable volume ratio technology and water-cooled technology—this chiller gives you the power of efficiencies that in many cases meet or exceed ASHRAE 90.1 – 2016 levels. Navigator’s single VFD-driven compressor brings new levels of performance to applications that aren’t suited to traditional centrifugals or magnetic bearing solutions.

# Navigator RapidRestore<sup>®</sup> and fast-loading option

## Restore cooling and peace of mind as fast as 35 seconds

A power loss could turn into a critical loss of cooling in mission critical facilities such as data centers, health care buildings, or manufacturing processes. A short-term power loss can happen during power interruptions, brown-outs or utility switching operations.

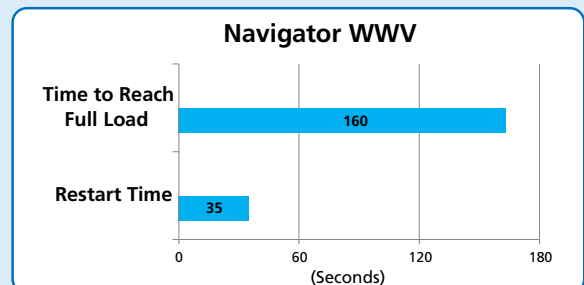
The Navigator chiller is available with a RapidRestore option that allows it to start as fast as 35 seconds after power is restored. In addition, the fast-loading option can restore full load cooling capacity in under 160 seconds. So you can restore critical cooling before it’s missed.

## Solve your biggest power loss concerns

- Faster return to necessary cooling levels
- Keep heat-sensitive servers on-line
- Maintain patient comfort in critical care areas
- Eliminate downtime in manufacturing processes

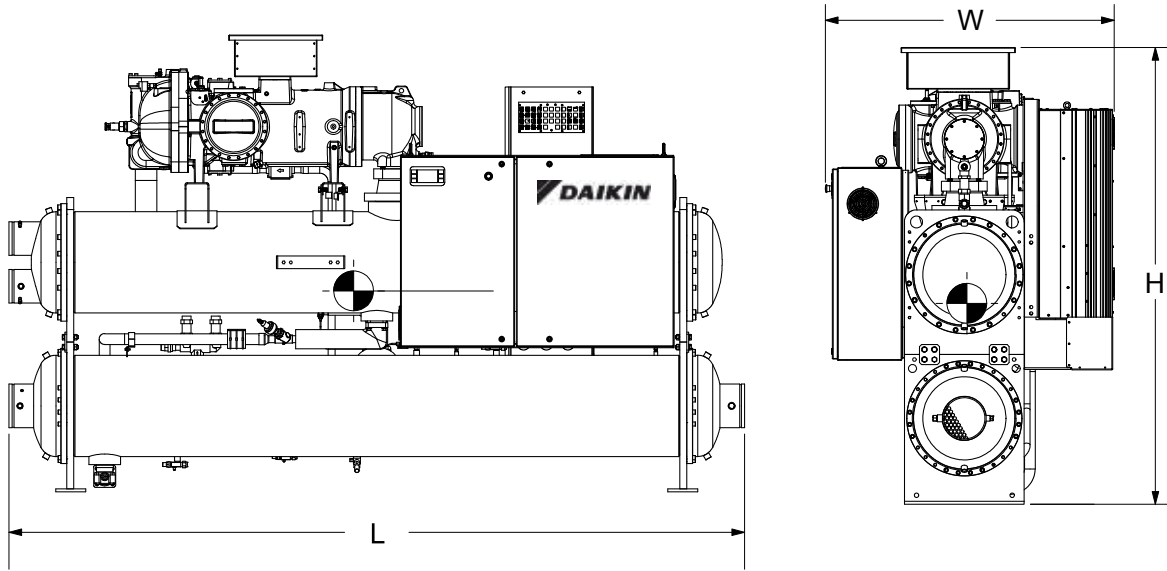
## Swiftly recover full-load capacity

Once power has been restored and the chiller is back online, the next critical step is reaching 100% cooling capacity as fast as possible. That’s when the fast-loading ability of a Navigator chiller with RapidRestore proves its worth. With fast loading, the Navigator chiller can reach 100% cooling capacity in less than 160 seconds. Comparable water-cooled chillers need up to 10 minutes.





# Daikin Navigator technical specifications



| Compressor | Evaporator |            | Condenser |            | Length (in) | Width (in) | Height (in) | Shipping Weight | Operating Weight |
|------------|------------|------------|-----------|------------|-------------|------------|-------------|-----------------|------------------|
|            | Size       | Tube Count | Size      | Tube Count |             |            |             |                 |                  |
| J          | E1610      | KB         | C1810     | KB         | 146.5       | 55.1       | 84.8        | 4648 lbs        | 6518 lbs         |
| J          | E1610      | JB         | C1810     | JB         | 146.5       | 55.1       | 84.8        | 4779 lbs        | 6567 lbs         |
| J          | E1610      | HB         | C2010     | JB         | 147.6       | 55.1       | 84.8        | 5351 lbs        | 7302 lbs         |
| M          | E1610      | HB         | C1810     | HB         | 146.5       | 55.1       | 84.8        | 4885 lbs        | 6624 lbs         |
| M          | E1610      | HB         | C2010     | JB         | 147.6       | 55.1       | 84.8        | 5520 lbs        | 7471 lbs         |
| M          | E1610      | GB         | C2010     | JB         | 147.6       | 55.1       | 84.8        | 5632 lbs        | 7553 lbs         |
| M          | E1610      | GB         | C2010     | JB         | 147.6       | 55.1       | 84.8        | 5510 lbs        | 7431 lbs         |
| M          | E2010      | HB         | C2010     | HB         | 145.3       | 57.1       | 90.2        | 6032 lbs        | 8361 lbs         |
| M          | E2010      | GB         | C2010     | HB         | 145.3       | 57.1       | 90.2        | 6447 lbs        | 8707 lbs         |
| M          | E2410      | HB         | C2410     | JB         | 150.5       | 61.6       | 97.7        | 7940 lbs        | 11373 lbs        |
| R          | E2010      | HB         | C2010     | HB         | 145.3       | 57.1       | 90.2        | 7511 lbs        | 9840 lbs         |
| R          | E2410      | JB         | C2410     | JB         | 150.5       | 61.6       | 97.9        | 9343 lbs        | 12810 lbs        |
| R          | E2410      | HB         | C2410     | JB         | 150.5       | 61.6       | 97.9        | 9377 lbs        | 12810 lbs        |
| R          | E2410      | GB         | C2410     | HB         | 150.5       | 61.6       | 97.9        | 9617 lbs        | 12899 lbs        |

**NOTE:** See certified drawings for additional dimensional data

Check out our Navigator stock today!

[apps.daikinapplied.com/stockapp](https://apps.daikinapplied.com/stockapp)



## The industry leader in environmental solutions

Daikin Applied is committed to sustainable practices as part of our corporate culture. We believe it is the right thing to do for our customers, our community, the environment, and ourselves. As the global HVAC leader, Daikin Applied has a unique opportunity to make a difference in sustainable initiatives and continue to lead the industry in environmental solutions.



To learn more about Navigator water-cooled chillers, contact your local Daikin Applied sales office or visit [www.DaikinApplied.com](http://www.DaikinApplied.com) to find an office near you.