

## Installation and Maintenance

## IM 349-4

Group: Fan Coil

Part Number: 107133900

Date: January 2018

# One-Row Steam Reheat Coil Kit for Horizontal Fan-coil Units, Types TSH & TSC

This bulletin covers the following one-row steam reheat coil kits for TSH and TSC fan-coil units.

Coil Kit No.	Daikin Unit Size
048174001	S03
048174002	S04
048174003	S06, S08
048174004	S10
048174005	S12

### CAUTION

Sharp edges and coil surfaces are a potential injury hazards. Avoid contact with them.

Installation and maintenance are to be performed only by qualified personnel who are familiar with and in compliance with state, local and national codes and regulations, and experienced with this type of equipment.

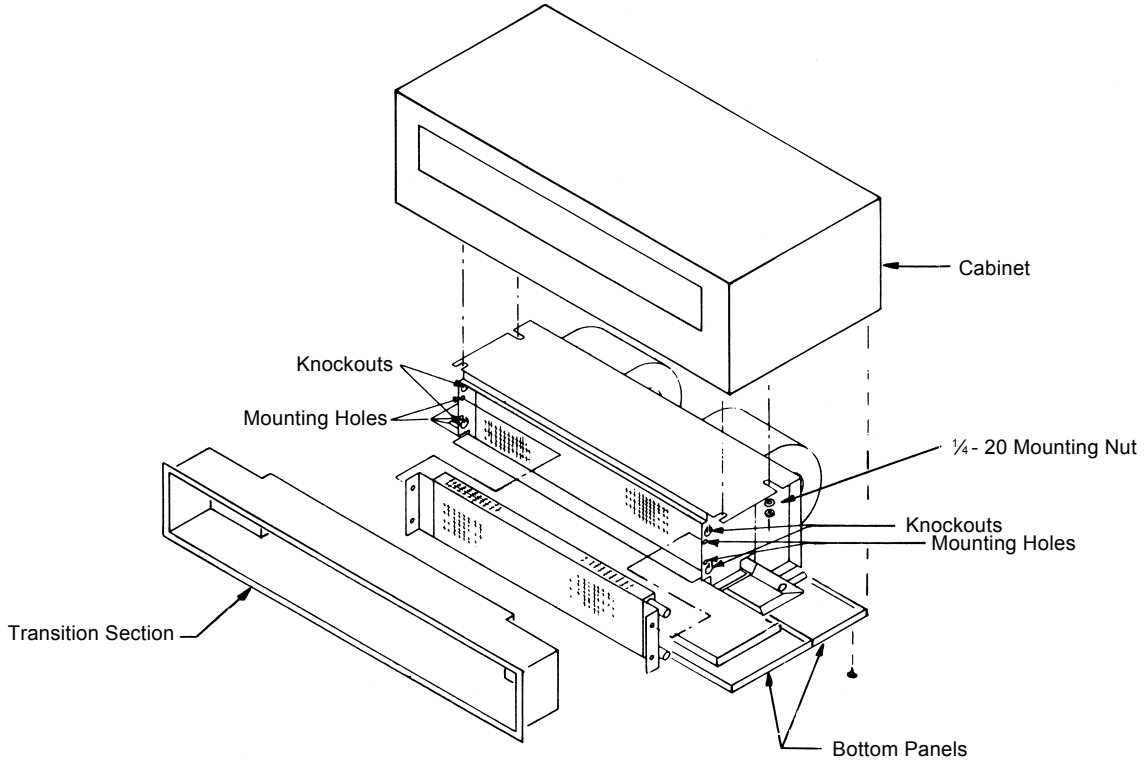
## Introduction

The one-row steam coil is intended to be field installed in Daikin models TSH and TSC units. The coil may be used with the connections on either the right or left side of the unit. We recommend piping the steam coil on the opposite end of the cooling coil to avoid interference with control valves or piping. Two grommets are included for the coil connection.

## Installation

1. When installing the one-row heating coil in the TSC unit, proceed as follows. If it is a TSH unit, proceed to items 6 through 10.
2. Remove both bottom panels ([Figure 1](#)). Handle the two panels with care so that the hinges do not damage the panels.
3. Remove the four (4) 1/2" × 20 nuts and washers that hold the unit in the cabinet ([Figure 1](#)).
4. Lift the unit out of the cabinet with the transition section attached to the unit.
5. Remove the four (4) sheet metal mounting screws that hold the transition section to the unit ([Figure 1](#)).
6. Determine which side the heating coil connections are to be located and remove the knockouts in the cooling coil header plate.
7. Position the heating coil in the unit as shown in [Figure 2](#). Heating coil connections must go through the header plate first.
8. Fasten the coil in position with the #10 sheet metal screws that have been provided.
9. Slide the grommets over the coil connections up to the header plate to prevent air leakage around the connection.
10. When soldering, use care so as not to burn the grommets. Due to limited space in cabinets, steam coils in TSC units may require steam trapping external to the units..
11. Re-install the painted bottom panels (TSC units only).

**Figure 1: TSC Cabinet Removal**



**Figure 2: Steam Coil Installation**

