

Installation and Maintenance Manual

IM 1271

Group: **WSHP**

Part Number: **910232335**

Date: **March 2018**

Vertical Stack WSHP

Thermostat Wire Whip Assemblies, with 12-Pin Molex Plug

Used with Optional Thermostats:

- Part No.: 910193093 or 910193126

Kit 910220443 Includes:

- Thermostat 910193126 with pre-wired 3' whip

Kit 910220444 Includes:

- Thermostat 910193093 with pre-wired 3' whip

Kit 910207377 Includes:

- 25' whip with male Molex and stripped leads to be field wired to the thermostat (replaces 3' whip or connects to above thermostats (not pre-wired)

Instructions:

For Kits 910220443 and 910220444

Install the remote mounted thermostat referring to the the installation manual that came with the thermostat. Route the wires and male molex plug to the unit mounted molex receptacle located on the face plate of the vertical stack unit. Secure the wires in compliance with local codes. Plug in the 12-pin molex plug noting the position of the locating rib as a reference, [Figure 1](#).

For Kit 910207377

Make connections with the stripped wire leads to the thermostat terminals as shown in either [Table 1](#) or [Table 2 on page 2](#) . Route the wires and male molex plug to the unit mounted molex receptacle located on the face plate of the vertical stack unit. Secure the wires in compliance with local codes.

Plug in the 12-pin molex plug noting the position of the locating rib as a reference, [Figure 1](#).

Figure 1: Plug 12-Pin Molex with Wire Whips into the Molex Receptacle

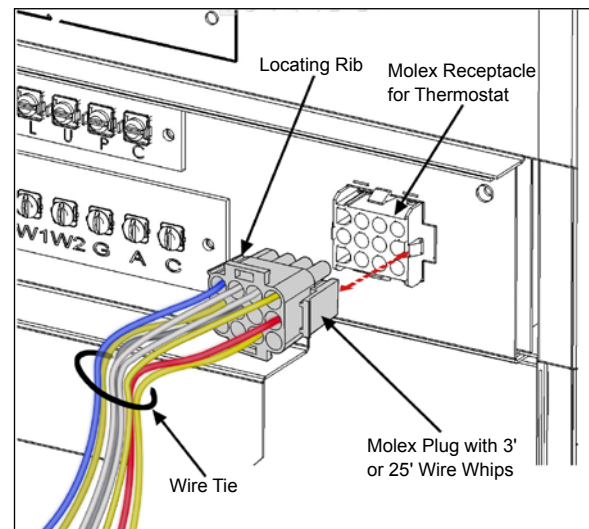


Table 1: Thermostat Terminations – 910193126

Molex Plug			Thermostat
Wire Color	Wire No.	Pin Position	Termination Point
BLU	1	1	R
WHT	2	2	W2
WHT	3	3	W1
YEL	4	4	Y2
YEL	5	5	Y1
GRY	6	6	G
RED	8	8	A
YEL	11	11	C

Figure 2: Thermostat 910193126 Back Plate Terminals

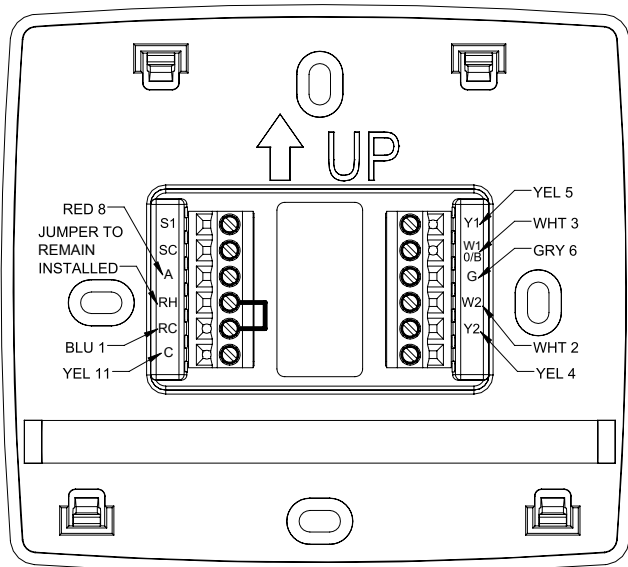
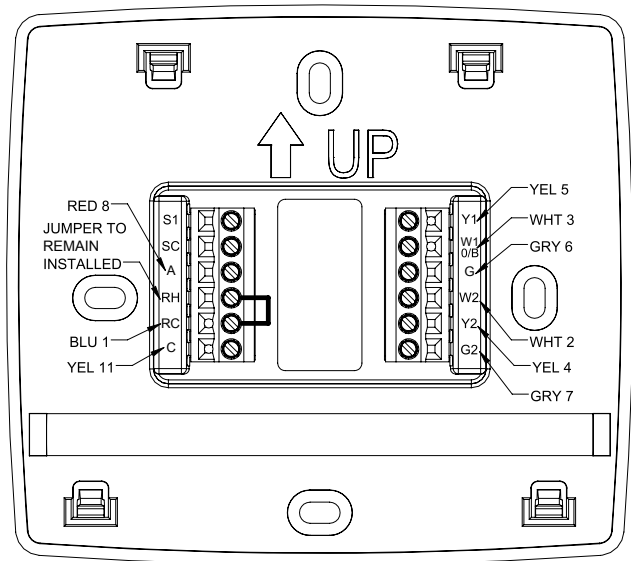


Table 2: Thermostat Terminations – 910193093

Molex Plug			Thermostat
Wire Color	Wire No.	Pin Position	Termination Point
BLU	1	1	R
WHT	2	2	W2
WHT	3	3	W1
YEL	4	4	Y2
YEL	5	5	Y1
GRY	6	6	G
GRY	7	7	G2
RED	8	8	A
YEL	11	11	C

Figure 3: Thermostat 910193093 Back Plate Terminals



Daikin Applied Training and Development

Now that you have made an investment in modern, efficient Daikin equipment, its care should be a high priority. For training information on all Daikin HVAC products, please visit us at www.DaikinApplied.com and click on Training, or call 540-248-9646 and ask for the Training Department.

Warranty

All Daikin equipment is sold pursuant to its standard terms and conditions of sale, including Limited Product Warranty. Consult your local Daikin Applied representative for warranty details. Refer to Form 933-430285Y. To find your local Daikin Applied representative, go to www.DaikinApplied.com.

Aftermarket Services

To find your local parts office, visit www.DaikinApplied.com or call 800-37PARTS (800-377-2787).
To find your local service office, visit www.DaikinApplied.com or call 800-432-1342.

This document contains the most current product information as of this printing. For the most up-to-date product information, please go to www.DaikinApplied.com.

Products manufactured in an ISO Certified Facility.