

Group: **Fan-coil**

Part Number: **106333101**

Date: **August 2002**

Automatic Changeover Switch For Automatic Seasonal Changeover on Two-pipe Systems

Installation and maintenance are to be performed only by qualified personnel who are familiar with and in compliance with state, local and national codes and regulations, and experienced with this type of equipment. **Caution: Sharp edges and coil surfaces are a potential injury hazards. Avoid contact with them.**

These line voltage changeover switches are designed to switch a thermostat from heating to cooling based on a change in supply water temperature. The switches can be mounted on 5/8" or 7/8" O.D. copper tube or iron pipe.

Both models are easily mounted to the supply piping with a simple spring clip included with the thermostat.

Models

The 039398600 model (fig. 1) has 110 in. leads and is the standard changeover switch. The 06361801 model (fig. 2) has the same operating characteristics and includes 18 in. conduit and connector.

Both models are snap acting, SPDT switches.

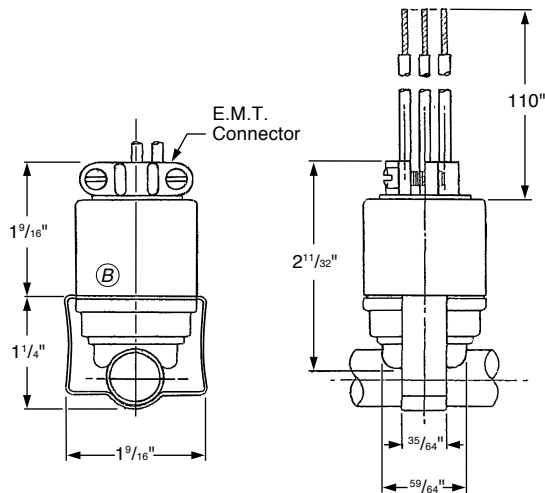
Terminal No. 1 has a black wire and is the common (C) connected to valve (valve cycle) or to the yellow wire of the speed switch (fan cycle).

Terminal No. 2 has a red wire and is normally open (N.O.). Connected to the heating (red) wire of the thermostat.

Terminal No. 3 has a blue wire and is normally closed (N.C.). Connected to the cooling (blue) wire of the thermostat.

At approximately 65°F, plus or minus 6°F, terminals 1 and 3 are closed and terminals 1 and 2 are open. At 95°F, plus or minus 6°F, terminals 1 and 2 are closed and terminals 1 and 3 are open.

Figure 1. Automatic Changeover Switch (Kit P/N 039398600)



Terminal No. 1 Black 60455 (Common)
Terminal No. 2 Red 60456 (N.O.) – Heating
Terminal No. 3 Blue 60457 (N.C.) – Cooling

Type 14TC33

Open Temp Term. 1 and 3, 95°F ± 6°
 Close Temp Term. 1 and 3, 65°F ± 6°

U.L. File – E29653

U.L. Guide – SDFY2

Volts – 120

Amps – 25

Specifications

Electrical Rating

Model	Voltage	FLA	LRA	Restive
039398600 061361801	24 – 240	15 – 5	90 – 30	25
Changeover Range:	65°F to 95°F (18°C to 35°C)			
Maximum Operating Temperature Limits:	220°F Fluid Temperature @ 125°F Ambient (104°C Fluid Temperature @ 52°C Ambient)			
Agency Approval:	UL Listed, CSA Approved			

The specifications above are nominal and conform to generally acceptable industry standards. Daikin Applied is not responsible for damages resulting from misapplication or misuse of its products.

Figure 2. Automatic Changeover Switch (Kit P/N 061361801)

