

## Console Water Source Heat Pumps – Model MHC & MHW Fuse/ Non-Fuse Disconnect (High-Sill Units Only)

### WARNING

Installation and maintenance are to be performed by qualified personnel who are familiar with local codes and regulations, and experienced with this type of equipment.

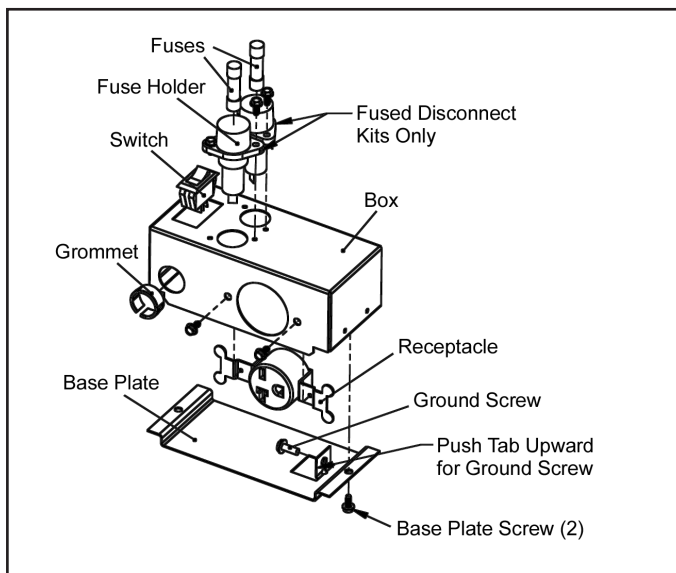
### CAUTION

Sharp edges can cause personal injury. Avoid contact with them.

### Procedure – Field Installed Accessory

1. Remove the fuse disconnect components from the shipping carton and check that all parts are included in the kit. Compare the parts to the parts list enclosed with the kit.

Figure 1. Fused Disconnect Assembly



### DANGER

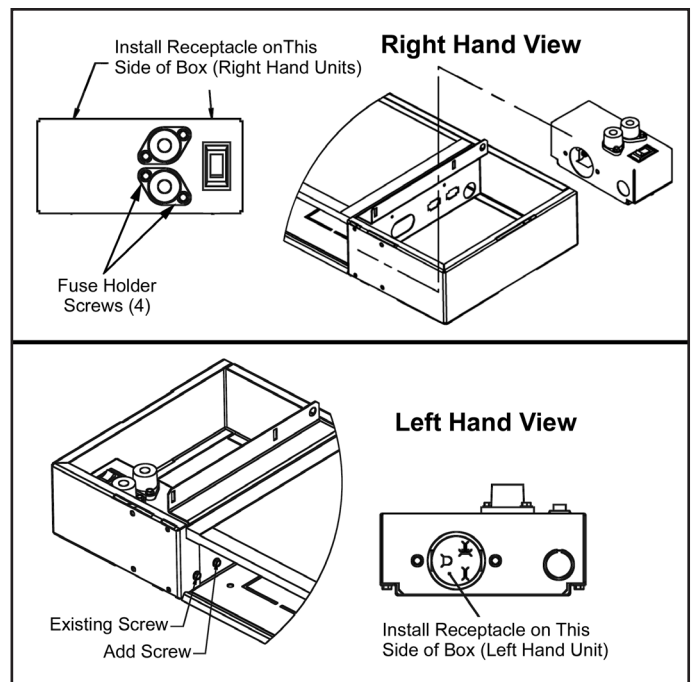


Disconnect all electrical power before servicing unit. Electrical shock will cause severe injury or death.

### Assembling the Fuse Disconnect Components

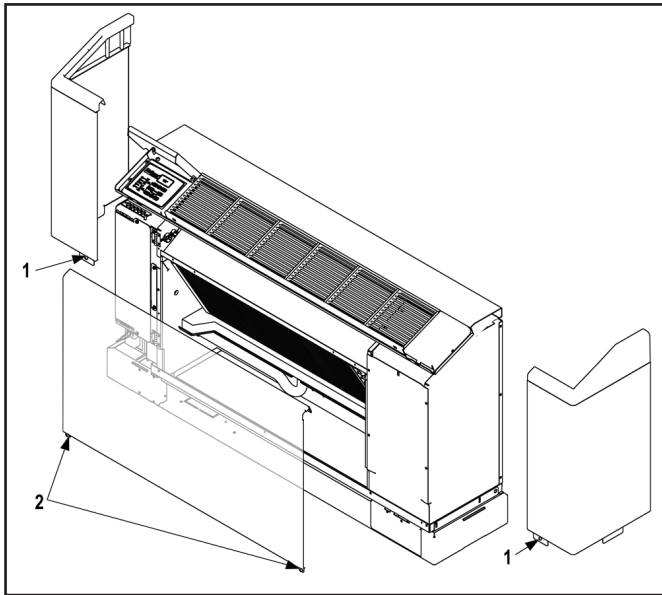
1. Remove (2) screws securing the base plate to the box, and disconnect the base from the cover.
2. Locate receptacle and plastic bag containing screws and wire grommet. Assemble the receptacle and grommet for a right hand or left hand unit installation (Figure 2).

Figure 2. Location of Disconnect Assembly



3. Knock out top holes for fuse holders. Locate fuses and fuse holders from kit.
4. Remove fuse holder top, insert fuse, and reassemble top to fuse holder. Install fuse holders into box using (4) screws.

Figure 3. Panel Fastener Locations



- To allow access to the interior of the subbase for installation of the fuse disconnect, disassemble the unit by removing the appropriate fastener (numbered 1) shown in Figure 3, securing the right or left side /corner panel to the subbase. Lift the panel up and out until the bottom tab clears the slot in the subbase.

**Note:** Set the unit panel aside where it will not be damaged. Maintain all screws and fasteners for re-installation.

## Wiring

- Use wiring provided with disconnect kit and wire as shown in Figure 4, for a fused disconnect application. Refer to Figure 5 for non-fused disconnect application.

Figure 4. Wire schematic for fused disconnect application

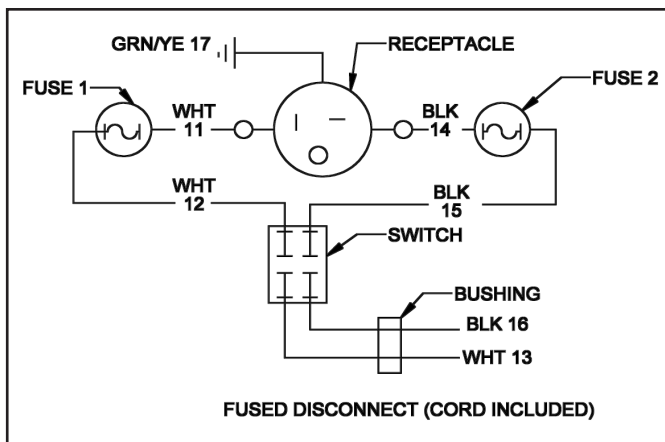
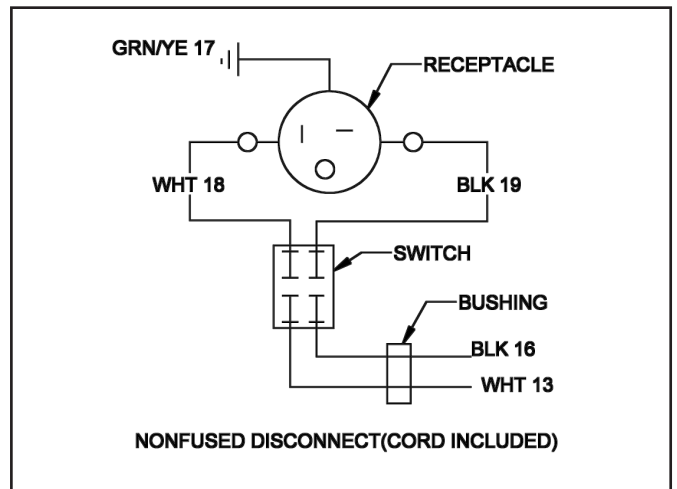


Figure 5. Wire schematic for non-fused disconnect application



- Reinstall bottom plate to disconnect box using (2) screws.
- Position disconnect kit assembly within subbase (Figure 2).
- Remove existing screw on inside of return air opening (Figure 2).
- Secure disconnect box to subbase using existing screw from subbase and (1) screw from kit (Figure 2).

## Wiring the Cord Set

- Locate service and disconnect wiring in junction box. Disconnect ground, voltage and common wires.
- Wire cord to terminals where voltage, common and ground wires were previously located.

### **Note:**

Use wiring schematic on unit for reference

